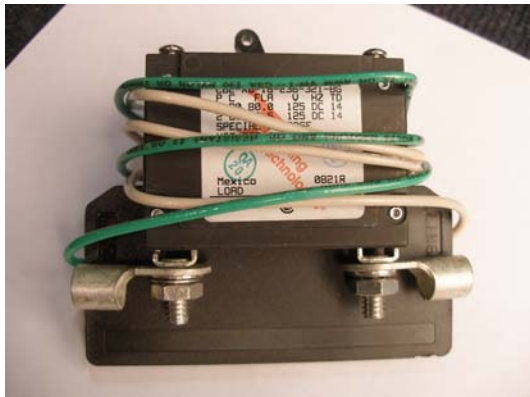
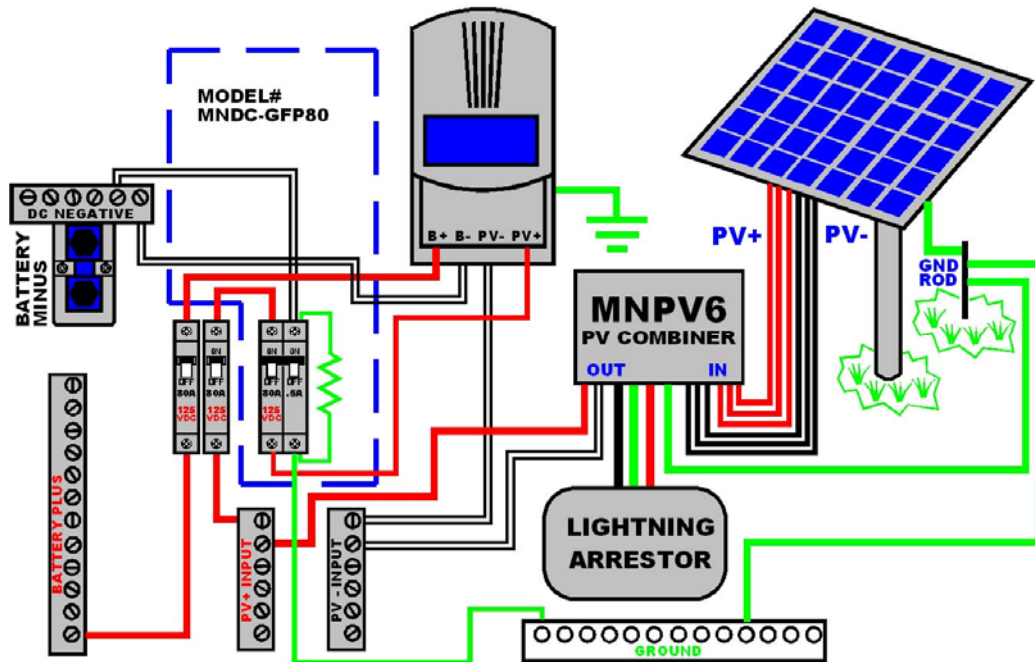




DC-GFP-80 INSTALLATION

A DC-Ground Fault Protector is now required on all PV systems by the NEC 2008. The wiring diagram below shows the GFP after the PV disconnect. It can also be placed prior to the disconnect.



The 80 amp panel mount version comes with 4AWG lugs as shown.

Note:

For Battery-less DC-GFP installations connect the white wire to PV negative rather than Battery negative.